

SENCO®

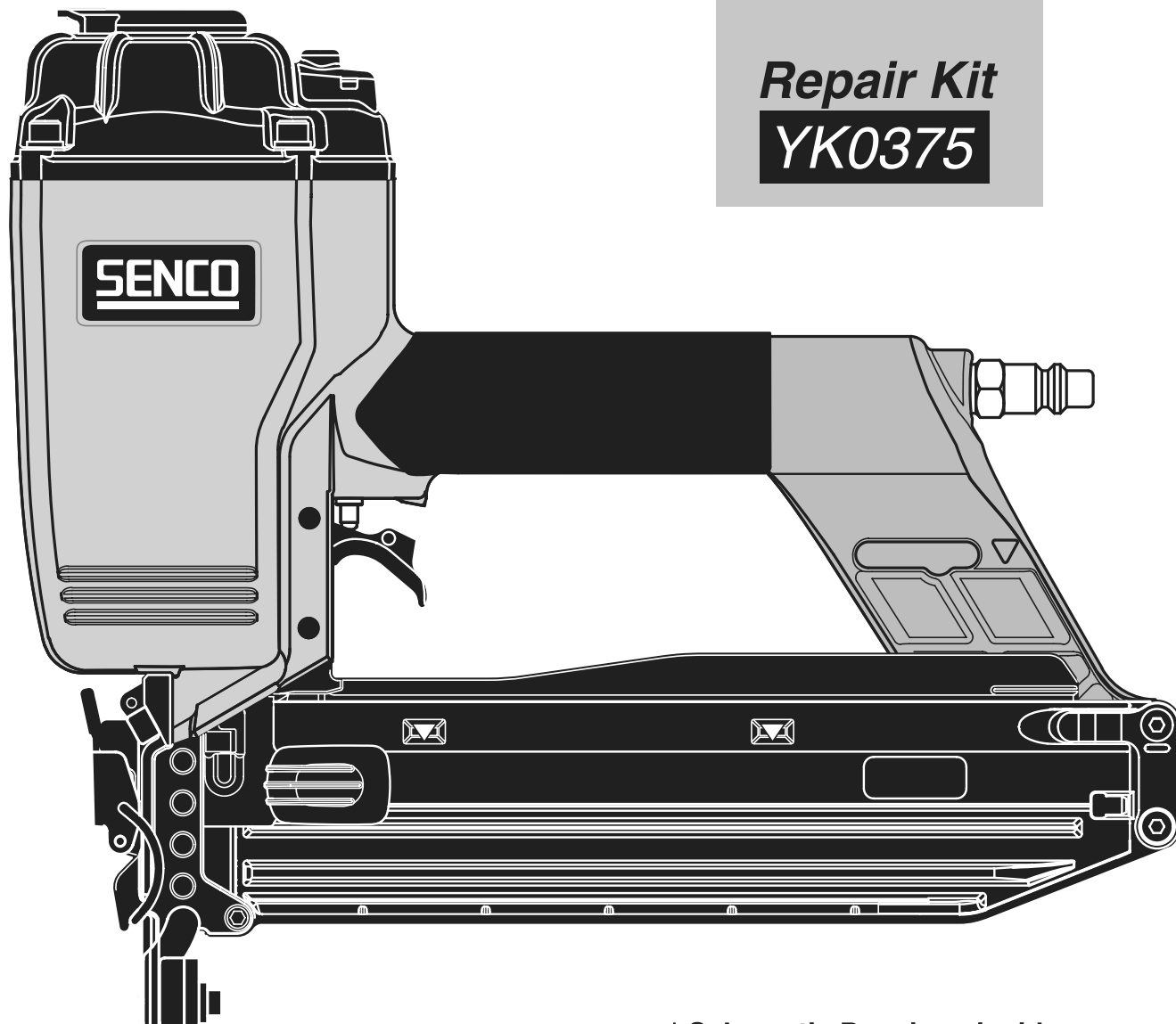
SQS55XP



Parts Reference Guide



Repair Kit
YK0375



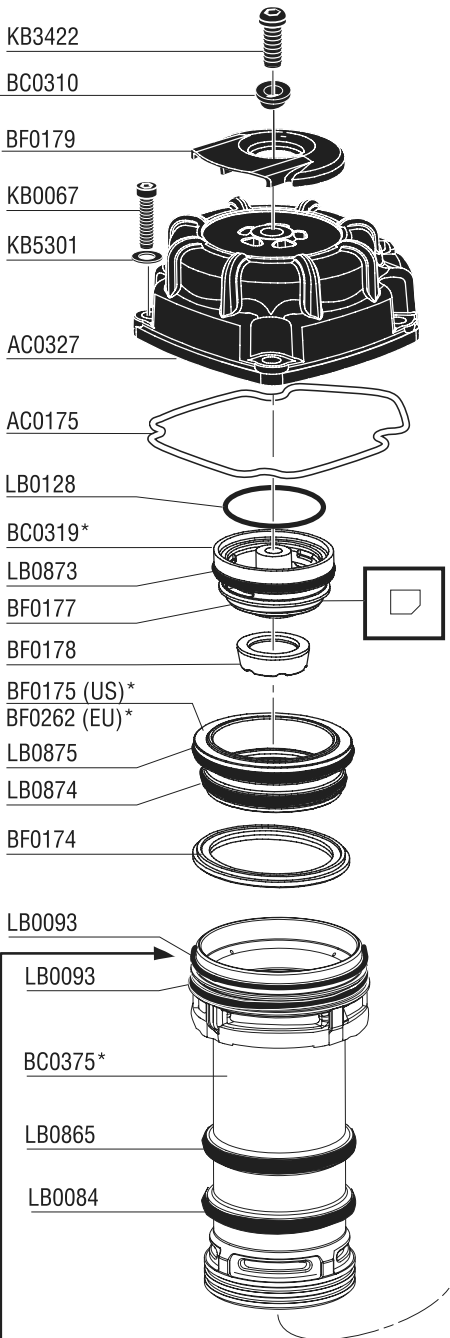
*** Schematic Drawings inside**

Senco Brands Inc.
4270 Ivy Pointe Blvd.
Cincinnati, Ohio 45245
Visit Our Website: www.senco.com
EU Website: www.verpa-senco.com

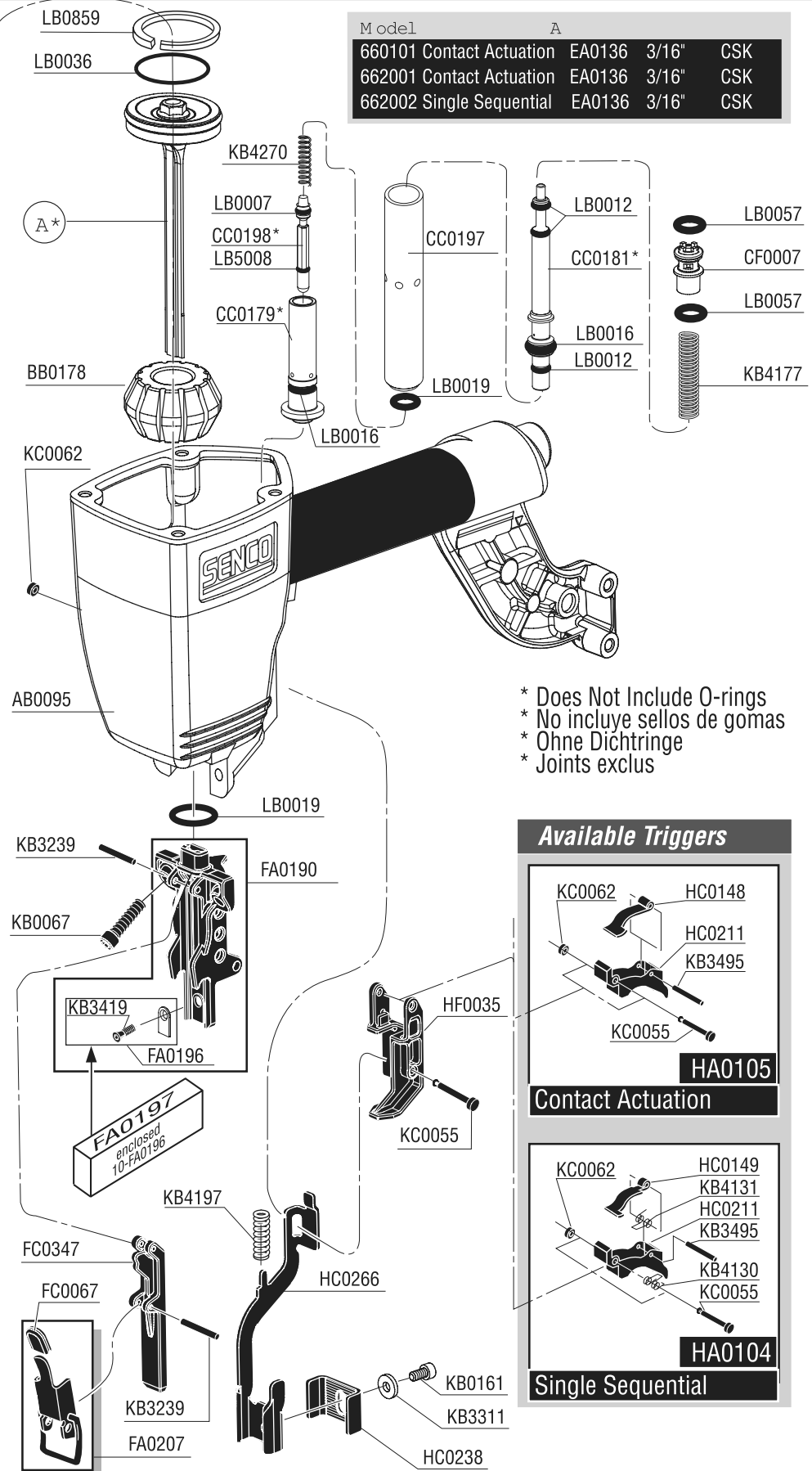
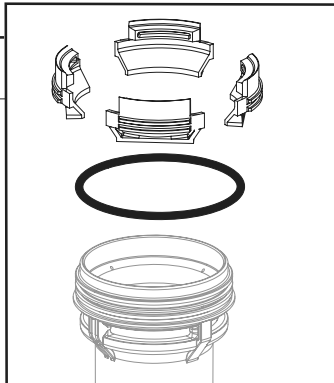
Questions? Comments? call Senco's toll-free Action-line: 1-800-543-4596
or e-mail: toolprof@senco.com

SQS55XP

SENCO

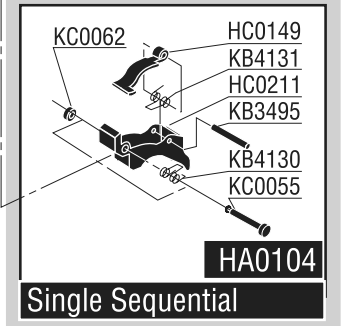
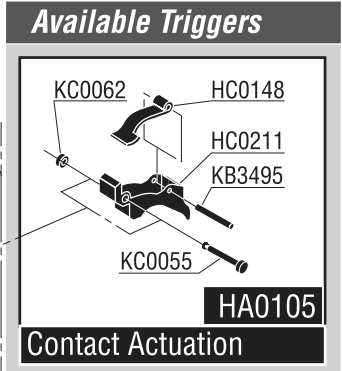


BA0139
Optional Kit
(Requires
Installation)



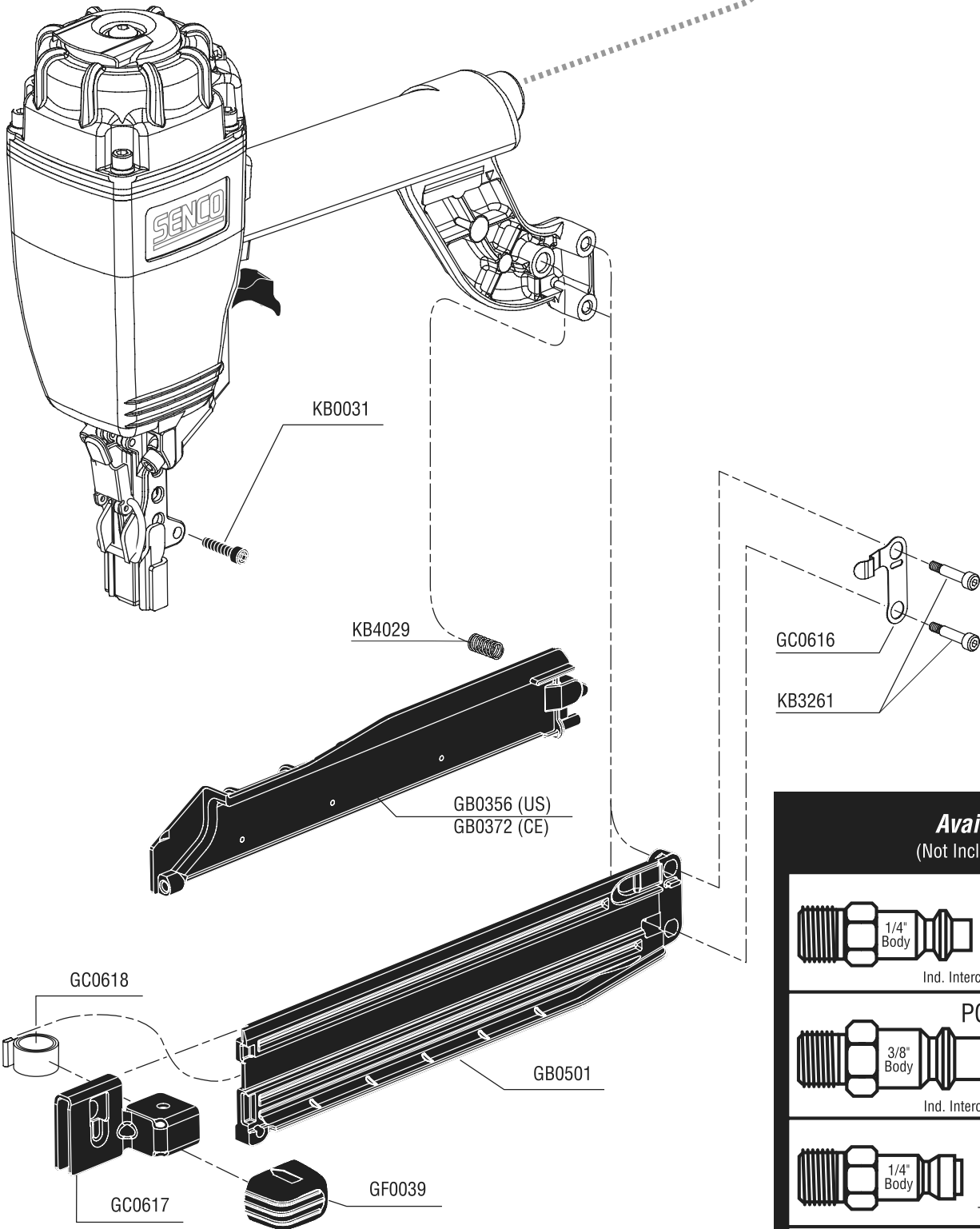
Model	A			
660101 Contact Actuation	EA0136	3/16"	CSK	
662001 Contact Actuation	EA0136	3/16"	CSK	
662002 Single Sequential	EA0136	3/16"	CSK	

* Does Not Include O-rings
 * No incluye sellos de gomas
 * Ohne Dichtringe
 * Joints exclus



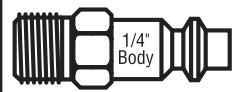
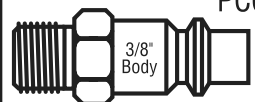

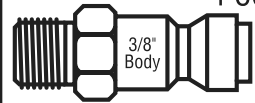
SQS55XP

SENCO®



NFG066 Revised May 19, 2010 (Replaces 2/14/08) © 2010 by SENCO Brands, Inc. Cincinnati, Ohio 45245 U.S.A.

Available Plugs (Not Included with Tool)

	PC0480
	1/4" Body
	Ind. Interchange 3/8" NPT
	PC0485 ✓
	3/8" Body
	Ind. Interchange 3/8" NPT
	PC0469
	1/4" Body
	Tru-Flate 3/8" NPT
	PC0475 ✓
	3/8" Body
	Tru-Flate 3/8" NPT

✓ **Recommended Plugs**
Plugs shown smaller than actual size

SQS55XP

REPLACEMENT PARTS LIST • LISTA DE PARTES DE REPUESTO • ERSATSTEILE-LISTE • LISTE DE PIÈCES DE RECHANGE

PART NO.	DESCRIPTION	DESCRIPCIÓN	BESCHREIBUNG	DÉSIGNATION
AB0095	MAIN BODY	CARCASA	GEHÄUSE	CORPS
AC0175	SEAL	SELLO	DICHTUNG	JOINT
AC0327	CAP	TAPA	KAPPE	BOUCHON
BA0139	INSERT (4)	ACOPLAMIENTO (4)	EINSATZ (4)	INSERT (4)
BB0178	STOP	TOPE	PUFFER	ARRÊT
BC0310	BUSHING	CASQUILLO	HÜLSE	DOUILLE
BC0375	CYLINDER	CILINDRO	ZYLINDER	CYLINDRE
BC0319	VALVE	VÁLVULA	VENTIL	VALVE
BF0174	SEAL	SELLO	DICHTUNG	JOINT
BF0175	VALVE	VÁLVULA	VENTIL	VALVE
BF0177	SEAL	SELLO	DICHTUNG	JOINT
BF0178	BUMPER	AMORTIGUADOR	PUFFER	AMORTISSEUR
BF0179	DEFLECTOR	DESVIADOR	ABWEISER	DÉFLECTEUR
BF0262	VALVE	VÁLVULA	VENTIL	VALVE
CC0179	HOUSING	ALOJAMIENTO	GEHÄUSE	CORPS
CC0181	CORE	VÁSTAGO	VENTILSTIFT	NOYAU
CC0197	HOUSING	ALOJAMIENTO	GEHÄUSE	CORPS
CC0198	CORE	VÁSTAGO	VENTILSTIFT	NOYAU
CF0007	HOUSING	ALOJAMIENTO	GEHÄUSE	CORPS
EA0136	PISTON ASSEMBLY	ASAMBLE DE PISTON	KOLBEN-ZUSAMMENBAU	ENSEMBLE PISTON-COUTEAU
FA0190	GUIDEBODY	PLACA DE NARIZ	KLAMMERFÜHRUNG	FRONT
FA0196	PLATE	PLACA	PLATTE	PLAQUE
FA0197	PLATE (10)	PLACA (10)	PLATTE (10)	PLAQUE (10)
FA0207	LATCH ASSEMBLY	ASAMBLE DE UÑETA	VERSCHLUSS-ZUSAMMENBAU	DOIGT DE RETENUE D'ASSEMBLÉE
FC0067	GRIP	AGARRADERO	GRIFF	GAINÉ EN CUIR
FC0347	DOOR	PUERTA	ABDECKSCHIEBER	PORTE
GB0356	DOOR (US)	PUERTA	ABDECKSCHIEBER	PORTE
GB0372	DOOR (CE)	PUERTA	ABDECKSCHIEBER	PORTE
GB0501	MAGAZINE	CARGADOR	MAGAZIN	MAGASIN
GC0616	LATCH	UÑETA	VERSCHLUSS	DOIGT DE RETENUE
GC0617	FEEDER SHOE	ALIMENTADOR	NAGELSCHIEBER	POUSSOIR
GC0618	SPRING	RESORTE	FEDER	RESSORT
GF0039	COVER	CUBIERTA	ABDECKUNG	COUVERCLE
HA0104	TRIGGER ASSEMBLY	ASAMBLE DE GATILLO	AUSLÖSER-ZUSAMMENBAU	GÂCHETTE D'ASSEMBLÉE
HA0105	TRIGGER ASSEMBLY	ASAMBLE DE GATILLO	AUSLÖSER-ZUSAMMENBAU	GÂCHETTE D'ASSEMBLÉE
HC0148	TRIGGER	GATILLO	AUSLÖSER	GÂCHETTE
HC0149	TRIGGER	GATILLO	AUSLÖSER	GÂCHETTE
HC0211	TRIGGER	GATILLO	AUSLÖSER	GÂCHETTE
HC0238	SAFETY ELEMENT	SEGURO	SICHERHEITSVORRICHTUNG	PALPEUR DE SÉCURITÉ
HC0266	SAFETY ELEMENT	SEGURO	SICHERHEITSVORRICHTUNG	PALPEUR DE SÉCURITÉ
HF0035	COVER	CUBIERTA	ABDECKUNG	COUVERCLE
KB0031	SCREW	TORNILLO	SCHRAUBE	VIS
KB0067	SCREW	TORNILLO	SCHRAUBE	VIS
KB0161	SCREW	TORNILLO	SCHRAUBE	VIS
KB3239	PIN	PASADOR	STIFT	GOUPILLE
KB3261	SCREW	TORNILLO	SCHRAUBE	VIS
KB3311	WASHER	ARANDELA	SCHRAUBE	RONDELLE
KB3419	SCREW	TORNILLO	SCHRAUBE	VIS
KB3422	SCREW	TORNILLO	SCHRAUBE	VIS
KB3495	PIN	PASADOR	STIFT	GOUPILLE
KB4029	SPRING	RESORTE	FEDER	RESSORT
KB4130	SPRING	RESORTE	FEDER	RESSORT
KB4131	SPRING	RESORTE	FEDER	RESSORT
KB4177	SPRING	RESORTE	FEDER	RESSORT
KB4197	SPRING	RESORTE	FEDER	RESSORT
KB4270	SPRING	RESORTE	FEDER	RESSORT
KB5301	WASHER	ARANDELA	SCHRAUBE	RONDELLE
KC0055	PIN	PASADOR	STIFT	GOUPILLE
KC0062	RETAINER	RETÉN	SICHERUNGSRING	RETENUE
LB0007	SEAL	SELLO	DICHTUNG	JOINT
LB0012	SEAL	SELLO	DICHTUNG	JOINT
LB0016	SEAL	SELLO	DICHTUNG	JOINT
LB0019	SEAL	SELLO	DICHTUNG	JOINT
LB0036	SEAL	SELLO	DICHTUNG	JOINT
LB0057	SEAL	SELLO	DICHTUNG	JOINT
LB0084	SEAL	SELLO	DICHTUNG	JOINT
LB0093	SEAL	SELLO	DICHTUNG	JOINT
LB0128	SEAL	SELLO	DICHTUNG	JOINT
LB0859	SEAL	SELLO	DICHTUNG	JOINT
LB0865	SEAL	SELLO	DICHTUNG	JOINT
LB0873	SEAL	SELLO	DICHTUNG	JOINT
LB0874	SEAL	SELLO	DICHTUNG	JOINT
LB0875	SEAL	SELLO	DICHTUNG	JOINT
LB5008	SEAL	SELLO	DICHTUNG	JOINT

Questions? Comments? call SENCO's toll-free Action-line: 1-800-543-4596 (North & South America only) or e-mail: toolprof@senco.com