

SENCO®

SN1602

Framing Nailer



Parts Reference Guide



*** Schematic drawings inside**

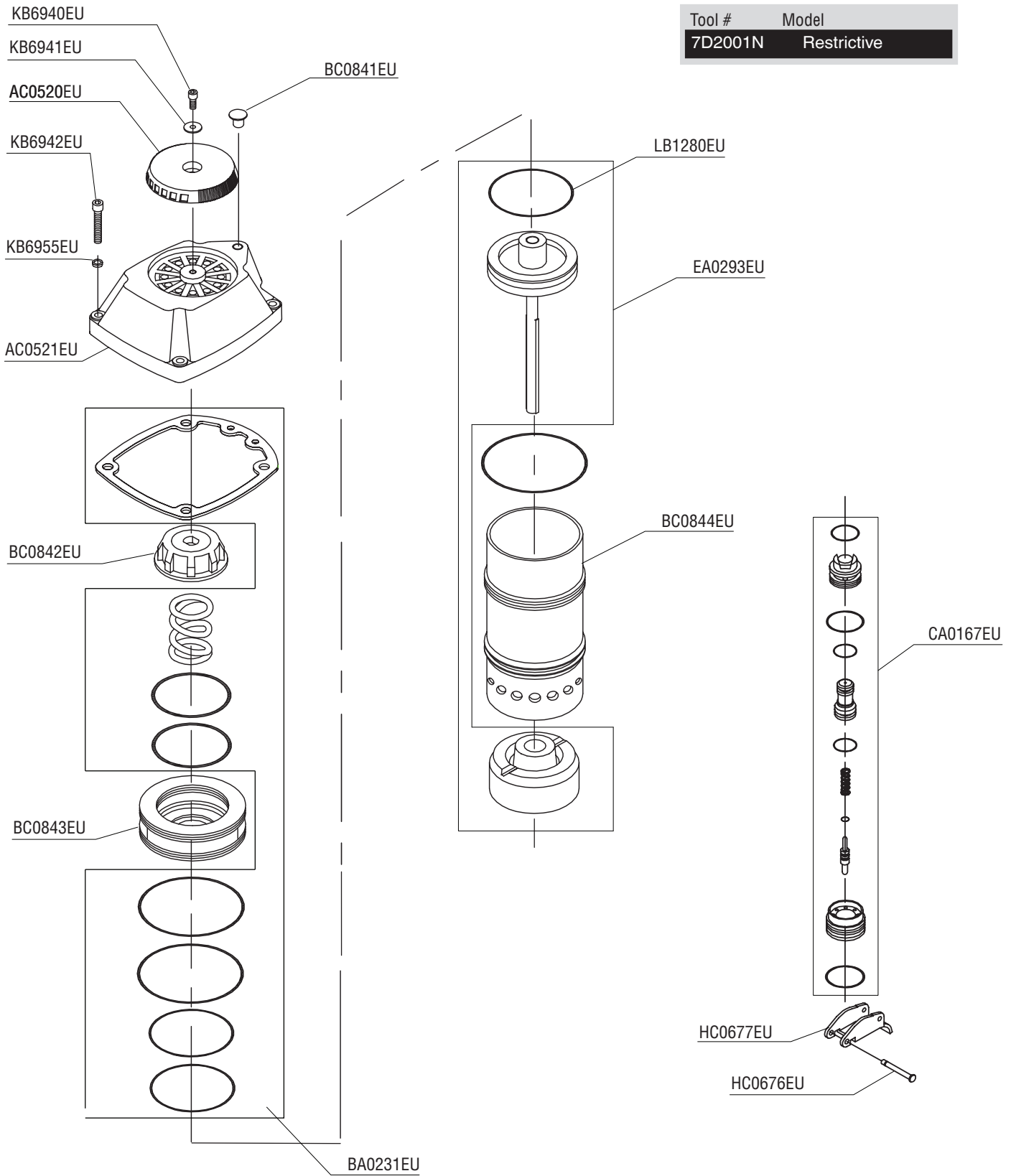
Senco Brands Inc.
4270 Ivy Pointe Blvd.
Cincinnati, Ohio 45245
Visit Our Website: www.senco.com
EMEA Website: www.verpa-senco.com

Questions? Comments? call Senco at:
1-800-543-4596 (North and South America Only)

SN1602 Framing Nailer

SENCO®

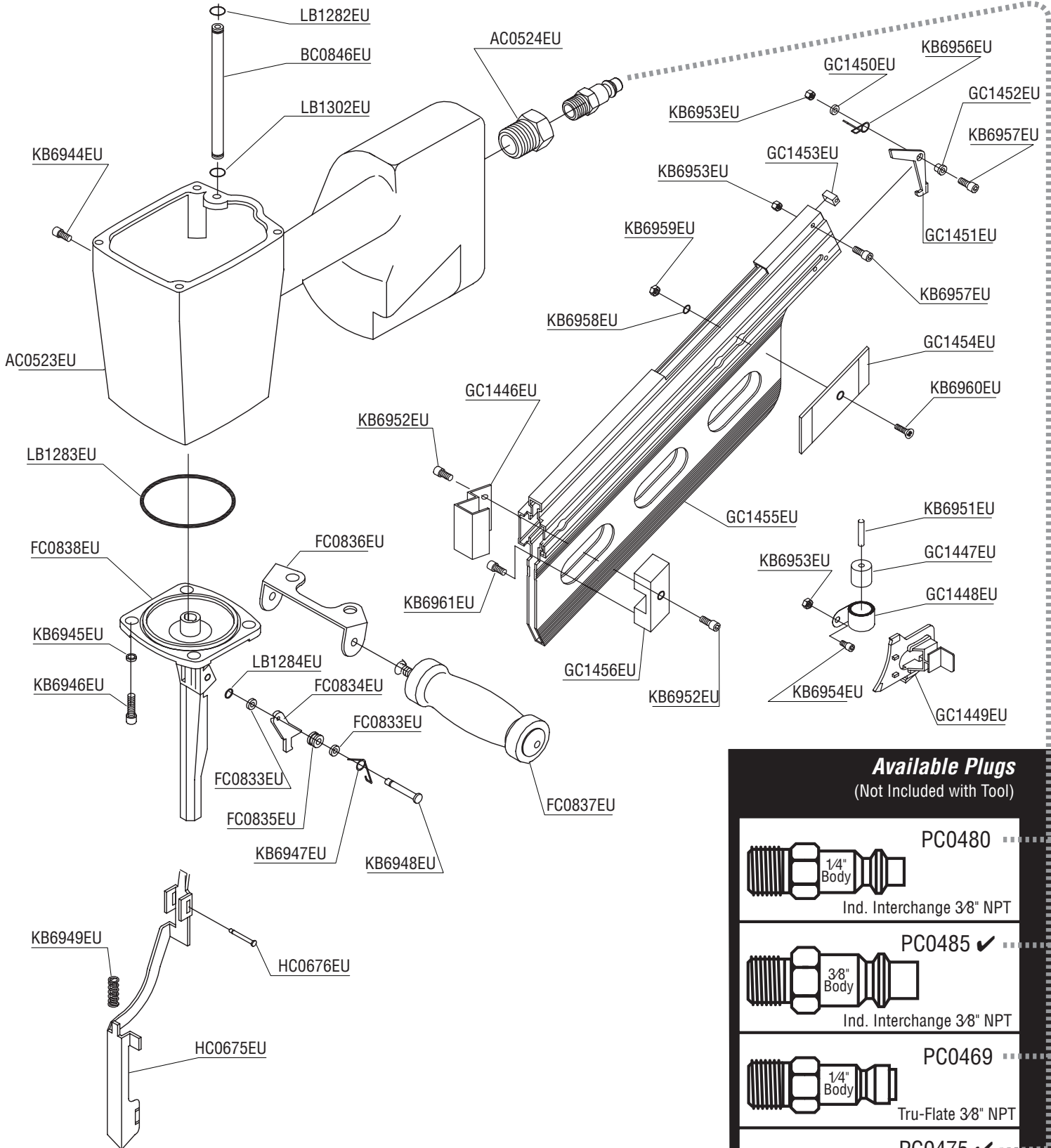
Tool #	Model
7D2001N	Restrictive



EU DESIGNED PARTS CAN BE DIFFERENT

SN1602 Framing Nailer





SENCO®



NF07D Revised December 23, 2015 (Replaces 1/25/12) © 2012 SENCO Brands, Inc. Cincinnati, Ohio 45245 - U.S.A.

EU DESIGNED PARTS CAN BE DIFFERENT

Available Plugs
(Not Included with Tool)

	PC0480
	Ind. Interchange 3/8" NPT
	PC0485 ✓
	Ind. Interchange 3/8" NPT
	PC0469
	Tru-Flate 3/8" NPT
	PC0475 ✓
	Tru-Flate 3/8" NPT

✓ **Recommended Plugs**
Plugs shown smaller than actual size

SN1602 Framing Nailer

REPLACEMENT PARTS LIST • LISTA DE PARTES DE REPUESTO • ERSATSTEILE-LISTE • LISTE DE PIÈCES DE RECHANGE

PART NO.	DESCRIPTION	DESCRIPCIÓN	BESCHREIBUNG	DÉSIGNATION
AC0520EU	CAP, EXHAUST	TAPA	KAPPE	BOUCHON
AC0521EU	CAP	TAPA	KAPPE	BOUCHON
AC0523EU	MAINBODY	CARCASA	GEHÄUSE	CORPS
AC0524EU	ADAPTOR	ADAPTADOR	ADAPTER	ADAPTATEUR
BA0231EU	FIRING SYSTEM ASY	ASAMBLE DE VÁLVULA	VENTIL-ZUSAMMENBAU	VALVE D'ASSEMBLÉE
BC0841EU	RETAINER	JUNTA TÓRICA	SICHERUNGSRING	RETENUE
BC0842EU	SEAL	SELLO	DICHTUNG	JOINT
BC0843EU	VALVE, PISTON	VÁLVULA	VENTIL	VALVE
BC0844EU	CYLINDER	CILINDRO	ZYLINDER	CYLINDRE
BC0845EU	BUMPER	AMORTIGUADOR	PUFFER	AMORTISSEUR
CA0167EU	REMOTER ASY	ASAMBLE DE VÁLVULA	VENTIL-ZUSAMMENBAU	VALVE D'ASSEMBLÉE
EA0293EU	PISTON DRIVER BUMPER ASY	ASAMBLE DE PISON Y	KOLBEN/TREIBER-	PISTON/COUTEAU
FC0833EU	SPACER	SEPARADOR	SISTANZSTÜCK	ENTRETOISE
FC0834EU	PLATE	PLACA	PLATTE	PLAQUE
FC0835EU	PAD	PLACA	PLATTE	PLAQUE
FC0836EU	HANDLE SUPPORT	MANIJA	HANDGRIFF	POIGNÉE
FC0837EU	HANDLE	MANIJA	HANDGRIFF	POIGNÉE
FC0838EU	GUIDEBODY	PLACA DE NARIZ	NAGELFÜHRUNG	FRONT
GC1446EU	COVER	CUBIERTA	ABDECKUNG	COUVERCLE
GC1447EU	ROLLER	RODILLO	ROLLE	GALET
GC1448EU	SPRING	RESORTE	FEDER	RESSORT
GC1449EU	FEEDERSHOE	ALIMENTADOR	NAGELSCHIEBER	POUSSOIR
GC1450EU	SPACER	SEPARADOR	SISTANZSTÜCK	ENTRETOISE
GC1451EU	LATCH	UNETA	VERSCHLUSS	DOIGT DE RETENUE
GC1452EU	SPACER	SEPARADOR	SISTANZSTÜCK	ENTRETOISE
GC1453EU	BUSHING	CASQUILLO	HÜLSE	DOUILLE
GC1454EU	PLATE	PLACA	PLATTE	PLAQUE
GC1455EU	MAGAZINE	CARGADOR	MAGAZIN	MAGASIN
GC1456EU	PLATE	PLACA	PLATTE	PLAQUE
HC0675EU	SAFETY	SEGURO	SICHERHEITSVORRICHTUNG	PALPEUR DE SÉCURITÉ
HC0676EU	PIN	PASADOR	STIFT	GOUPILLE
HC0677EU	TRIGGER	GATILLO	AUSLÖSER	GÂCHETTE
KB6940EU	SCREW	TORNILLO	SCHRAUBE	VIS
KB6941EU	WASHER	ARANDELA	SCHEIBE	RONDELLE
KB6942EU	BOLT	TORNILLO	SCHRAUBE	VIS
KB6944EU	SCREW	TORNILLO	SCHRAUBE	VIS
KB6945EU	WASHER	ARANDELA	SCHEIBE	RONDELLE
KB6946EU	BOLT	TORNILLO	SCHRAUBE	VIS
KB6947EU	SPRING	RESORTE	FEDER	RESSORT
KB6948EU	PIN	PASADOR	STIFT	GOUPILLE
KB6949EU	SPRING	RESORTE	FEDER	RESSORT
KB6951EU	PIN	PASADOR	STIFT	GOUPILLE
KB6952EU	SCREW	TORNILLO	SCHRAUBE	VIS
KB6953EU	NUT	TUERCA	MUTTER	ÉCROU
KB6954EU	SCREW	TORNILLO	SCHRAUBE	VIS
KB6955EU	WASHER	ARANDELA	SCHEIBE	RONDELLE
KB6956EU	SPRING	RESORTE	FEDER	RESSORT
KB6957EU	SCREW	TORNILLO	SCHRAUBE	VIS
KB6958EU	WASHER	ARANDELA	SCHEIBE	RONDELLE
KB6959EU	NUT	TUERCA	MUTTER	ÉCROU
KB6960EU	SCREW	TORNILLO	SCHRAUBE	VIS
KB6961EU	SCREW	TORNILLO	SCHRAUBE	VIS
LB1280EU	O-RING	SELLO	DICHTUNG	JOINT
LB1282EU	O-RING	SELLO	DICHTUNG	JOINT
LB1283EU	O-RING	SELLO	DICHTUNG	JOINT
LB1284EU	O-RING	SELLO	DICHTUNG	JOINT
LB1302EU	O-RING	SELLO	DICHTUNG	JOINT

Please visit www.senco.com or call 1-800-543-4596 (North & South America Only) for updated product and parts information.

Por favor visite www.senco.com o llame 1-800-543-4596 (Norte y Sur América solamente) para actualizada del producto y en la parte de información.

S'il vous plaît visitez www.senco.com ou appelez 1-800-543-4596 (Amérique du Nord et l'Amérique du Sud seulement) pour la plus récente information sur le produit.