

SENCO®

SCN650

65mm Coil Nailer



Parts Reference Guide



*** Schematic drawings inside**

Senco Brands Inc.
4270 Ivy Pointe Blvd.
Cincinnati, Ohio 45245
Visit Our Website: www.senco.com
EMEA Website: www.verpa-senco.com

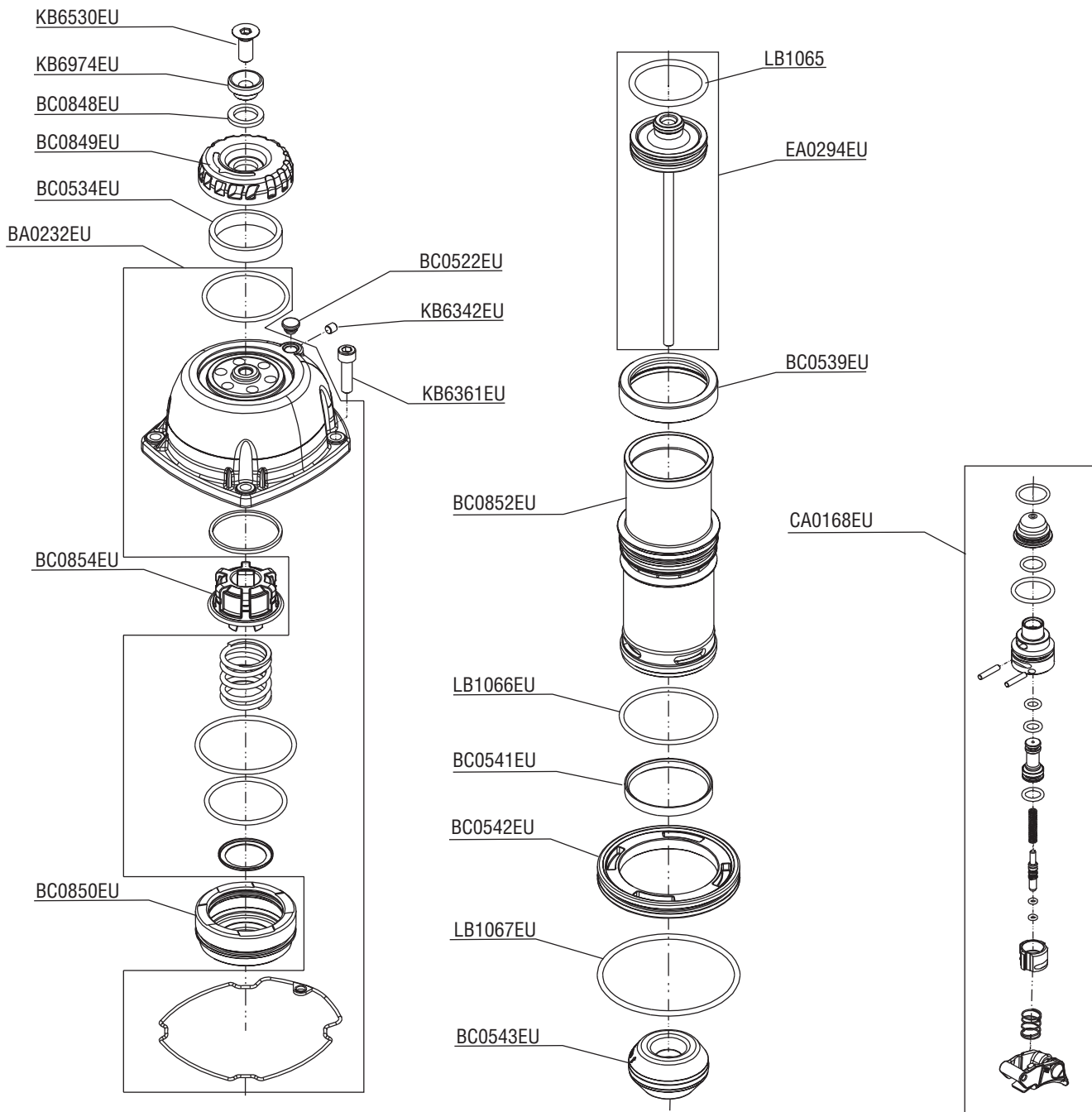
Questions? Comments? call Senco at:
1-800-543-4596 (North and South America Only)

SCN650 65mm Coil Nailer

SENCO®

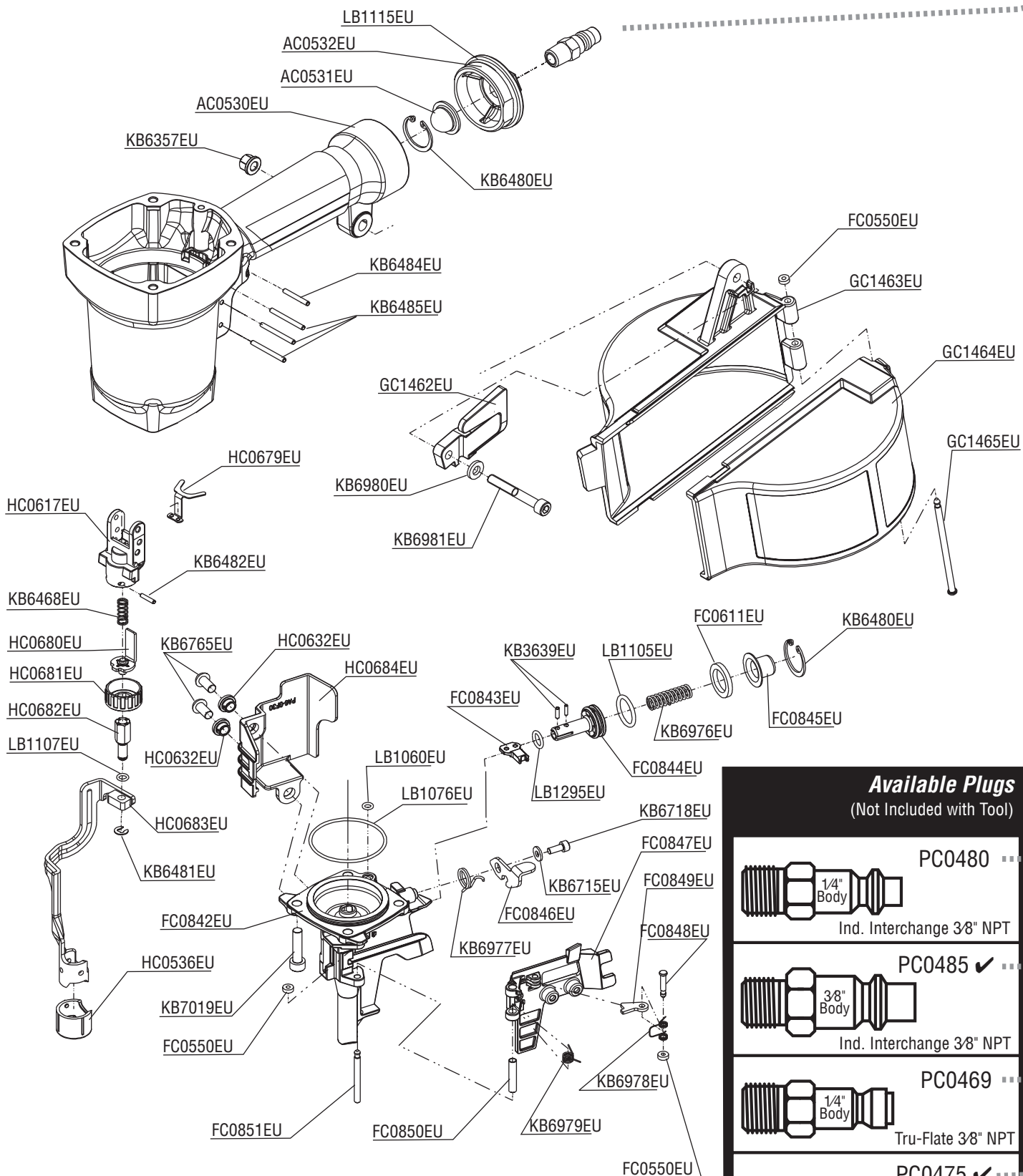
EU DESIGNED PARTS CAN BE DIFFERENT

| Tool # | Model |
|---------|--------|
| 7P2001N | SCN650 |







SCN650 65mm Coil Nailer

SENCO[®]



EU DESIGNED PARTS CAN BE DIFFERENT

Available Plugs
(Not Included with Tool)

| | |
|---|---------------------------|
|  | PC0480 |
| | Ind. Interchange 3/8" NPT |
|  | PC0485 ✓ |
| | Ind. Interchange 3/8" NPT |
|  | PC0469 |
| | Tru-Flate 3/8" NPT |
|  | PC0475 ✓ |
| | Tru-Flate 3/8" NPT |

✓ **Recommended Plugs**
Plugs shown smaller than actual size

NFE07P Issued October 7, 2011 © 2011 SENC0 Brands, Inc. Cincinnati, Ohio 45245 - U.S.A.

SCN650 65mm Coil Nailer

REPLACEMENT PARTS LIST • LISTA DE PARTES DE REPUESTO • ERSATSTEILE-LISTE • LISTE DE PIÈCES DE RECHANGE

| PART NO. | DESCRIPTION | DESCRIPCIÓN | BESCHREIBUNG | DÉSIGNATION |
|----------|--------------------|---------------------|------------------------|-------------------------|
| AC0529EU | CAP | TAPA | KAPPE | BOUCHON |
| AC0530EU | MAINBODY | CARCASA | GEHÄUSE | CORPS |
| AC0531EU | FILTER | FILTRO | FILTER | FILTRE |
| AC0532EU | END CAP | TAPA | KAPPE | BOUCHON |
| BA0232EU | FIRING SYSTEM ASY | ASAMBLE DE VÁLVULA | VENTIL-ZUSAMMENBAU | VALVE D'ASSEMBLÉE |
| BC0522EU | GROMMET | RETEN | SICHERUNGSRING | RETENUE |
| BC0534EU | MUFFLER | SILENCIADOR | DAMPFER | SILENCIEUX |
| BC0539EU | COLLAR | CILINDRO | ZYLINDER | CYLINDRE |
| BC0541EU | RING | ANILLO | REIFEN | ANNEAU |
| BC0542EU | SPACER | SEPARADOR | SISTANZSTÜCK | ENTRETOISE |
| BC0543EU | BUMPER | AMORTIGUADOR | PUFFER | AMORTISSEUR |
| BC0848EU | PAD | AMORTIGUADOR | SCHUTZ | COUSSIN |
| BC0849EU | DEFLECTOR | DESVIADOR | ABWEISER | DÉFLECTEUR |
| BC0850EU | PISTON VALVE | VÁLVULA | VENTIL | VALVE |
| BC0852EU | CYLINDER SLEEVE | CILINDRO | ZYLINDER | CYLINDRE |
| BC0854EU | SEAL | SELLO | DICHTUNG | JOINT |
| CA0168EU | REMOTE ASY | ASAMBLE DE VÁLVULA | VENTIL-ZUSAMMENBAU | VALVE D'ASSEMBLÉE |
| EA0294EU | PISTON/DRIVER ASSY | ASAMBLE DE PISTON Y | KOLBEN/TREIBER | PISTON/COUTEAU |
| FC0550EU | RETAINER | JUNTA TÓRICA | SICHERUNGSRING | RETENUE |
| FC0611EU | STOP | TOPPE | PUFFER | ARRÊT |
| FC0842EU | GUIDEBODY | PLACA DE NARIZ | NAGELFÜHRUNG | FRONT |
| FC0843EU | FINGER | PLACA | PLATTE | PLAQUE |
| FC0844EU | PISTON | PISTON | KOLBEN | PISTON |
| FC0845EU | CAP | TAPA | KAPPE | BOUCHON |
| FC0846EU | LATCH | UNETA | VERSCHLUSS | DOIGT DE RETENUE |
| FC0847EU | DOOR | PUERTA | ABDECKSCHIEBER | PORTE |
| FC0848EU | PIN | PASADOR | STIFT | GOUPILLE |
| FC0849EU | NAIL STOP | TOPPE | PUFFER | ARRÊT |
| FC0850EU | BUSHING | CASQUILLO | HÜLSE | DOUILLE |
| FC0851EU | PIN | PASADOR | STIFT | GOUPILLE |
| GC1462EU | RETAINER | JUNTA TÓRICA | SICHERUNGSRING | RETENUE |
| GC1463EU | MAGAZINE CASE | CARGADOR | MAGAZIN | MAGASIN |
| GC1464EU | MAGAZINE COVER | CUBIERTA | ABDECKUNG | COUVERCLE |
| GC1465EU | PIN | PASADOR | STIFT | GOUPILLE |
| HC0536EU | COVER | CUBIERTA | ABDECKUNG | COUVERCLE |
| HC0617EU | SAFETY GUIDE | GUÍA | FÜHRUNG | GUIDE |
| HC0632EU | COVER | CUBIERTA | ABDECKUNG | COUVERCLE |
| HC0679EU | STOP | TOPPE | PUFFER | ARRÊT |
| HC0680EU | SAFETY ELEMENT | SEGURO | SICHERHEITSVORRICHTUNG | PALPEUR DE SÉCURITÉ |
| HC0681EU | ADJUSTMENT KNOB | MANIVELA | KNOPF | MOLETTE DE VERROUILLAGE |
| HC0682EU | ADJUSTMENT ROD | BARRE | STAB | VARA |
| HC0683EU | SAFETY ELEMENT | SEGURO | SICHERHEITSVORRICHTUNG | PALPEUR DE SÉCURITÉ |
| HC0684EU | COVER | CUBIERTA | ABDECKUNG | COUVERCLE |
| KB3639EU | PIN | PASADOR | STIFT | GOUPILLE |
| KB6342EU | SCREW | TORNILLO | SCHRAUBE | VIS |
| KB6357EU | SCREW | TORNILLO | SCHRAUBE | VIS |
| KB6361EU | SCREW | TORNILLO | SCHRAUBE | VIS |
| KB6468EU | SPRING | RESORTE | FEDER | RESSORT |
| KB6480EU | C-RING | ANILLO | REIFEN | ANNEAU |
| KB6481EU | E-RING | ANILLO | REIFEN | ANNEAU |
| KB6482EU | PIN | PASADOR | STIFT | GOUPILLE |
| KB6484EU | PIN | PASADOR | STIFT | GOUPILLE |
| KB6485EU | PIN | PASADOR | STIFT | GOUPILLE |
| KB6530EU | SCREW | TORNILLO | SCHRAUBE | VIS |
| KB6715EU | WASHER | ARANDELA | SCHEIBE | RONDELLE |
| KB6718EU | SCREW | TORNILLO | SCHRAUBE | VIS |
| KB6765EU | SCREW | TORNILLO | SCHRAUBE | VIS |
| KB6974EU | WASHER | ARANDELA | SCHEIBE | RONDELLE |
| KB6976EU | SPRING | RESORTE | FEDER | RESSORT |
| KB6977EU | SPRING | RESORTE | FEDER | RESSORT |
| KB6978EU | SPRING | RESORTE | FEDER | RESSORT |
| KB6979EU | SPRING | RESORTE | FEDER | RESSORT |
| KB6980EU | WASHER | ARANDELA | SCHEIBE | RONDELLE |
| KB6981EU | SCREW | TORNILLO | SCHRAUBE | VIS |
| KB7019EU | SCREW | TORNILLO | SCHRAUBE | VIS |
| LB1060EU | O-RING | SELLO | DICHTUNG | JOINT |
| LB1065 | O-RING | SELLO | DICHTUNG | JOINT |
| LB1066EU | O-RING | SELLO | DICHTUNG | JOINT |
| LB1067EU | O-RING | SELLO | DICHTUNG | JOINT |
| LB1076EU | O-RING | SELLO | DICHTUNG | JOINT |
| LB1105EU | O-RING | SELLO | DICHTUNG | JOINT |
| LB1107EU | O-RING | SELLO | DICHTUNG | JOINT |
| LB1115EU | O-RING | SELLO | DICHTUNG | JOINT |
| LB1295EU | O-RING | SELLO | DICHTUNG | JOINT |